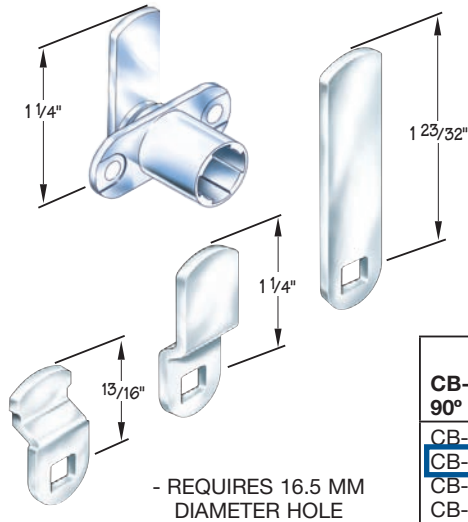


# CAM LOCK KITS CB-165, CB-168, CB-169



**Application** - Universal lock for either doors or drawers. Each kit contains a variety of easily switched cams to accommodate most locking situations.

**Operation** - 90° or 180° cam rotation. Counter clockwise to lock.

**Keying** - Order lock plug separately.

**Packaging** - Cylinder supplied with two straight and two bent cams. Bent cams have setback of 15/32". Cam plates are zinc plated.

These Kits will Replace the Following Timberline Cam Locks:

| CB-165<br>90° Rotation |        |        | CB-168<br>180° Rotation<br>(Horizontal) |        | CB-169<br>180° Rotation<br>(Vertical) |        |
|------------------------|--------|--------|---|--------|---------------------------------------|--------|
| CB-080                 | CB-083 | CB-084 | CB-180                                  | CB-183 | CB-190                                | CB-193 |
| <b>CB-085</b>          | CB-087 | CB-088 | CB-184                                  | CB-185 | CB-194                                | CB-195 |
| CB-090                 | CB-093 | CB-094 | CB-187                                  | CB-188 | CB-197                                | CB-198 |
| CB-095                 | CB-097 | CB-098 |   |        |                                       |        |

## THREADED BARREL CAM LOCK KIT

CB-141 – Nickel Plated Cylinder  
CB-143 – Black Plated Cylinder (shown)

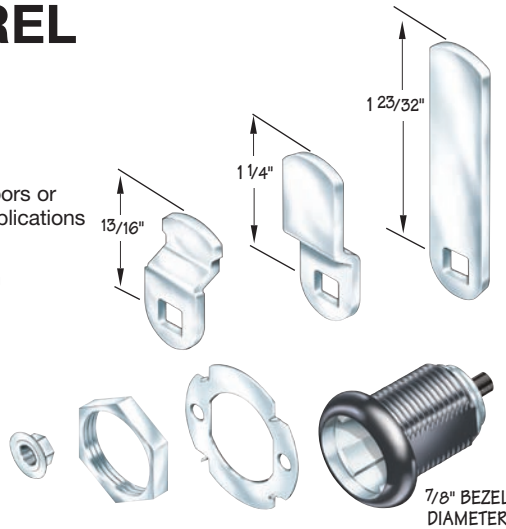
**Application** – Universal type lock for either doors or drawers. Kit will accommodate most locking applications for material thickness 1/16" – 1/2".

Industry-standard Double D hole can be used in metal applications.

**Operation** – 90 degree cam rotation. Counter clockwise to lock.

**Keying** – Order lock plugs separately.

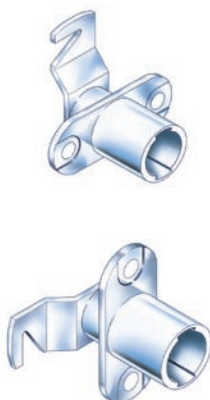
**Packaging Contents** – Cylinder supplied with one straight cam, two bent cams, flange nut, hex nut and spur washer. Cam plates are zinc plated.



### LOCK PLUGS

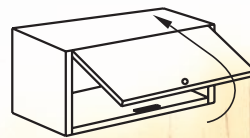
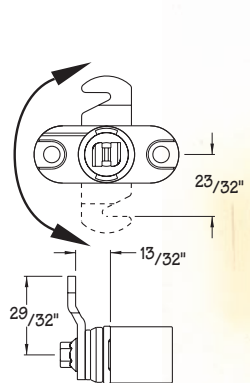
- LP-100 Nickel
- LP-200 Old English
- LP-300 Black
- LP-400 Statuary Bronze
- LP-500 Brass
- LP-700 Satin Nickel

## FLIPPER/TAMBOUR DOOR LOCK CB 181 & CB 191

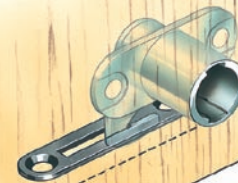


CB-181  
TYPE 181  
CYLINDER  
BODY  
HORIZONTAL  
MOUNT

CB-191  
TYPE 191  
CYLINDER  
BODY  
VERTICAL  
MOUNT



- REQUIRES 16.5 MM DIAMETER HOLE



SP-181 STRIKE PLATE

