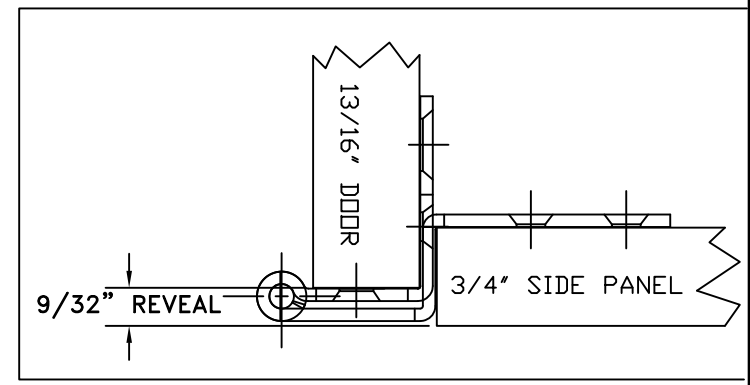
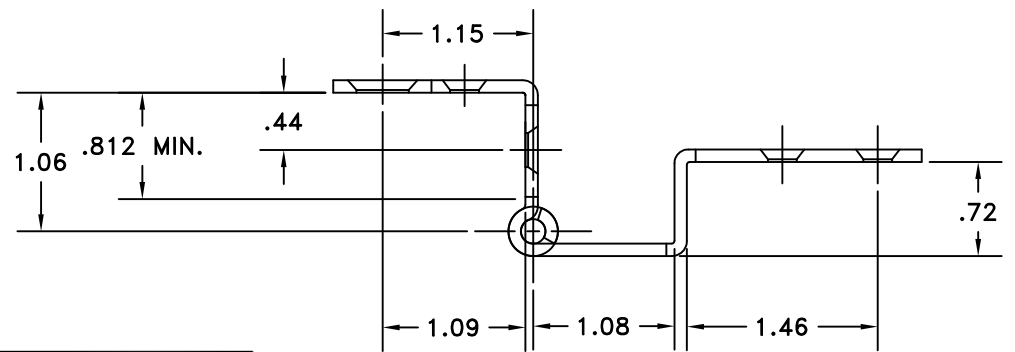
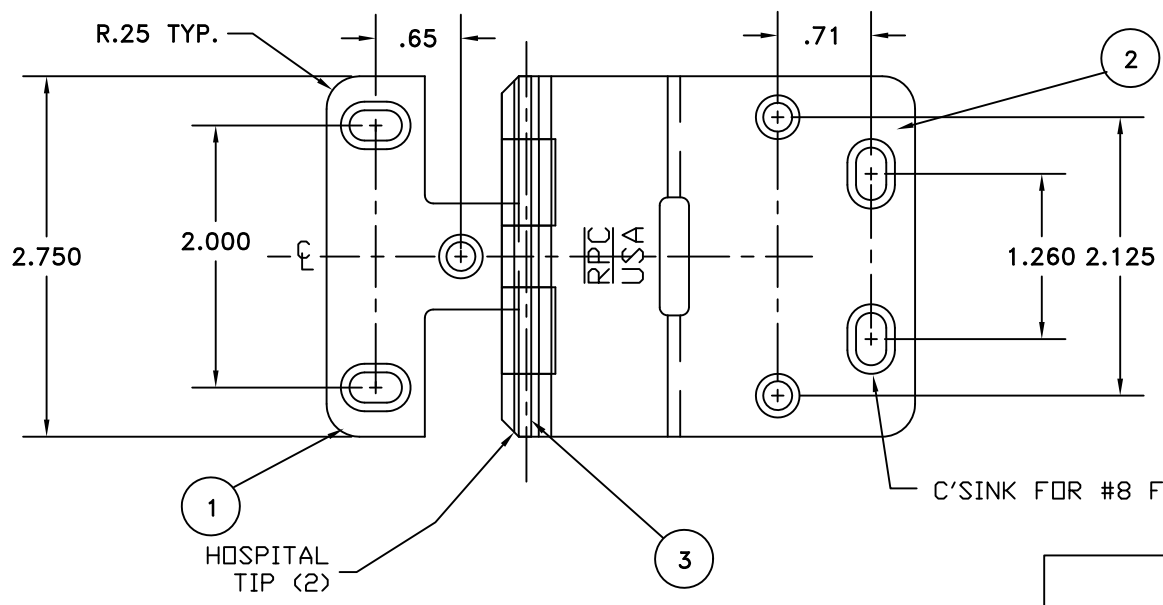


PART NUMBER 376SS-APP REV. A



ITEM	QTY	BILL OF MATERIAL
1	1	WING, 2-PRONG
2	1	WING, 3-PRONG
3	1	PIN, KNURLED



APPLICATION DRAWING

CUSTOMER P/N (IF APPLICABLE)		REV.		MATERIAL		SCALE (SIZE)		SHT NO. OF	
THIS PRINT IS THE PROPERTY OF RPC AND ITS DUPLICATION, RETENTION OR TRANSMITTAL TO OTHERS IS PROHIBITED WITHOUT PRIOR CONSENT.				.090 TYPE 304 STAINLESS STEEL		1:1.5		1 1	
				FILENAME		MAT'L WT (LBS/EA)		PART DESCRIPTION	
				376SSAPP				HINGE, OVERLAY 3/4" X 13/16"	
A REVISED FOR NEW TOOLING				CWW 5/17/10		DATE		PART NUMBER	
DESCRIPTION				BY DATE		3/16/05		376SS-APP	
ECR# REV.								REV. A	