

FR 5219

SLIDE TYPE:	Heavy-Duty Full-Extension Ball Bearing Drawer Slide - with interlock & anti-tilt function
MOUNTING:	Side Mount

WIDTH:	12.9 mm (0.51 in.)
LOAD CAPACITY:	dynamic up to 90 kg (200 lbs.)

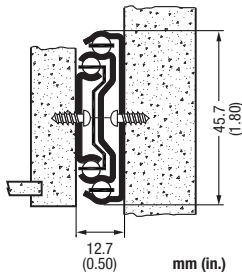


FR5219 Interlock & anti-tilt closing mechanism

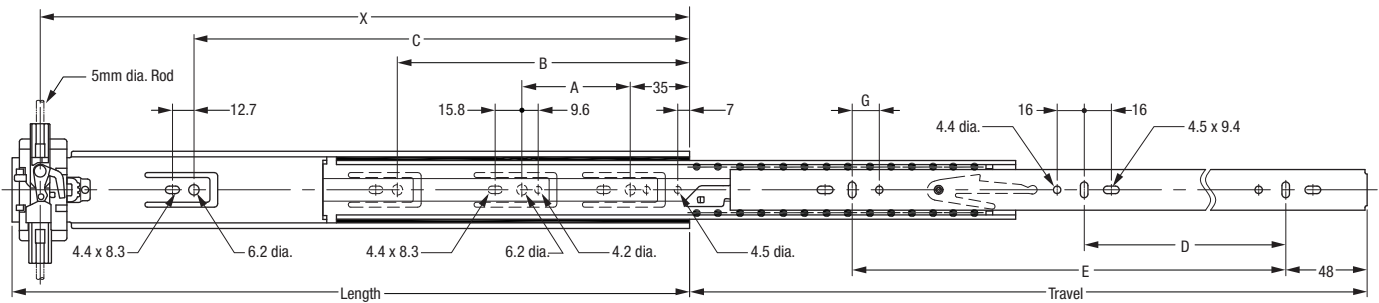
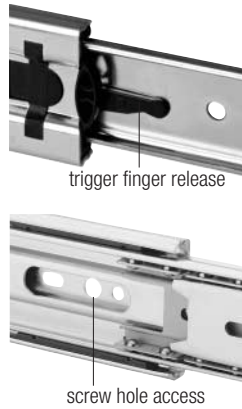
MATERIALS:	cold rolled steel
-------------------	-------------------

FEATURES:	steel ball bearings
------------------	---------------------

SPECIFICATIONS:	<ul style="list-style-type: none"> ▶ precision ball bearing drawer slide for heavy-duty applications in office furniture, architectural milwork and institutional applications ▶ drawer profile features an easy to operate disconnect finger release trigger ▶ this system allows only one drawer at a time to be opened ▶ system 32 compatible hole locations ▶ drawer slide is non-handed ▶ see separate page for FR5218 Interlock & anti-tilt closing mechanism
------------------------	---



12.9 mm (0.51 in.) is the actual size of the slide. Allow a min. of 13.1 mm (0.52 in.) for clearance.

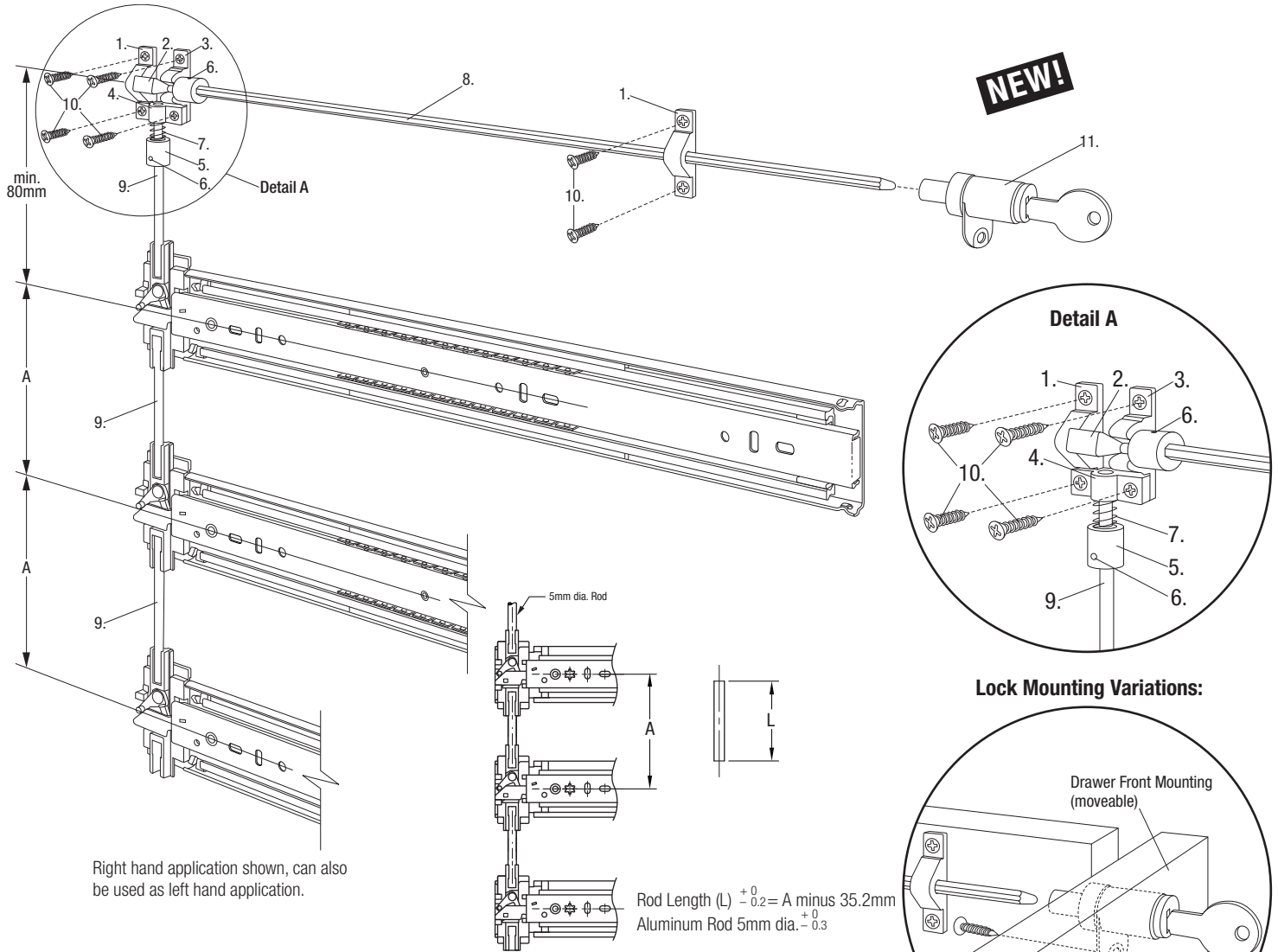


Length mm in	Travel mm in	Cabinet Profile:				Drawer Profile:		Weight kg. lbs.	Order No. black	Order No. zinc
		A mm in	B mm in	C mm in	X mm in	D mm in	E mm in			
400	15.75 425 16.73	64 2.52	224 8.82	288 11.34	383 15.08	96 3.78	256 10.08	*	*	400220
450	17.72 475 18.70	64 2.52	224 8.82	288 11.34	433 17.05	128 5.04	320 12.60	*	*	400221
500	19.69 525 20.70	64 2.52	224 8.82	352 13.86	483 19.02	128 5.04	352 13.86	*	*	400222
550	21.65 575 22.64	64 2.52	224 8.82	416 16.38	533 20.98	160 6.30	416 16.38	*	*	400223
600	23.62 625 24.61	64 2.52	224 8.82	480 18.90	583 22.95	192 7.56	416 16.38	*	*	400224
650	25.59 675 26.58	64 2.52	224 8.82	512 20.16	633 24.92	192 7.56	512 20.16	*	*	400225
700	27.56 725 28.54	64 2.52	224 8.82	544 21.42	683 26.89	224 8.82	514 20.22	*	*	400226
Packing Unit: 10 pair per box									* on request	

FR 5218

FR 5218 Interlock / Anti-tilt Device Specification and Parts
(for use with FR 5019 Slide and / or FR 5219)

NEW!



Parts List:

	Quantity
1. Lock lever Guide and horizontal hex rod guide	2 pcs.
2. Lock lever	1 pc.
3. Lock lever Guide	1 pc.
4. Vertical Rod Guide	1 pc.
5. Lock Pin	1 pc.
6. Set screw M4 x 4mm	2 pcs.
7. Spring 8mm dia. x 12mm	1 pc.
*8. Aluminum Hex Rod, 5mm x 500mm	1 pc.
**9. Aluminum Round Rod, 5mm dia. x 500mm	2 pcs.
10. #6 x 5/8 Flathead Screw	6 pcs.
11. Lock (Supplied by CompX Timberline Part # CB-152)	NOT INCLUDED

Note: *Hex rod must be cut to the desired length according to the dimensions of the cabinet.
 ** Round rod must be cut to the desired length according to the following formula:
 center-to-center measurement of the slide minus 33.7mm (1.327 in.) equals rod length.
 (See diagram on previous page)

Packing Sold as set, including all parts listed above (FR5219 Drawer slides sold separately)	Order No. 400198
--	----------------------------