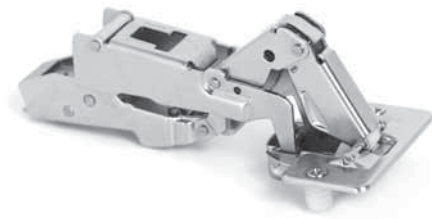


## CLIP top 170°

## Hinges



### Features

- Three-dimensional adjustment
- Available with INSERTA attachment
- For door thicknesses up to 24 (15/16")
- 130° angle restriction clip available (70.6103)
- All metal hinge, nickel-plated
- Add-on BLUMOTION soft close available

### Minimum reveal table

	3	4	5	6	7	8
0	0	0	0	0	0.2	2.2
1	0	0	0	0	0	1.4
2	0	0	0	0	0	0.9
3	0	0	0	0	0	0
4	0	0	0	0	0	0
5	0	0	0	0	0	0
6	0	0	0	0	0	0
7	0	0	0	0	0	0
8	0	0	0	0	0	0
B = boring distance	16	18	19	20	22	24

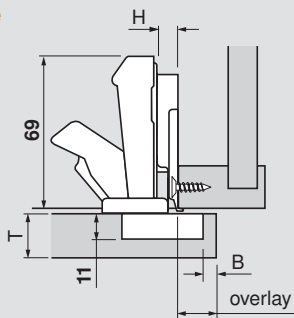
T = door thickness

Thickness greater than 24 trial recommended

CLIP top

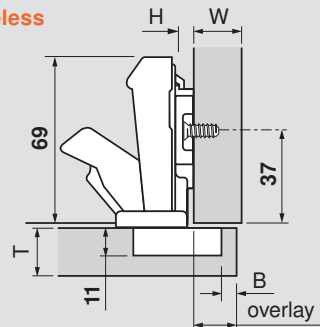
### Overlay

#### Frame



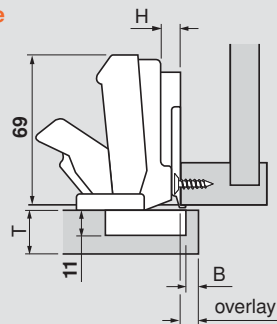
NOTE: 175H6xxx or 175L6600.24 recommended

#### Frameless

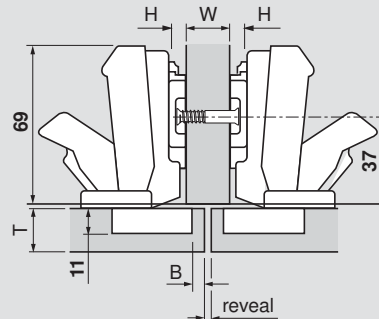


### Partial/twin overlay

#### Frame



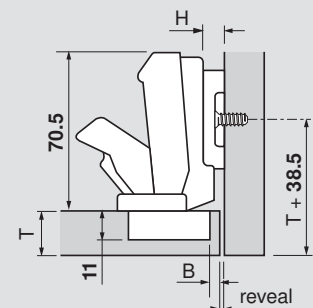
#### Frameless



### Inset

Inset application not recommended with 170° hinges and the inset face frame adapter (175H5030.21)

### Frameless



H	Overlay						P	S
0	14	15	16	17	18	19	1.5	65
3	11	12	13	14	15	16	4.5	68
4.5	9.5	10.5	11.5	12.5	13.5	14.5	6	69.5
6	8	9	10	11	12	13	7.5	71
9	5	6	7	8	9	10	10.5	74
	3	4	5	6	7	8	Fixed distance = 11	
	B = boring distance							

NOTE: 4.5 plate is only for use in face frame cabinets, 9 plate is only for frameless cabinets

H	Overlay						P	S
0	4.5	5.5	6.5	7.5	8.5	9.5	11	75
	3	4	5	6	7	8	Fixed distance = 1.5	
	B = boring distance							

H	Reveal					W	P	S
	7	5	3	1	-	-	16	11 75
0	10	8	6	4	2	0	19	
	13	11	9	7	5	3	22	
	3	4	5	6	7	8	B = boring distance	

H	Reveal						P	S
9	4.5	3.5	2.5	1.5	0.5	-	20	84
	3	4	5	6	7	8	Fixed distance = -7.5	
	B = boring distance							

### Abbreviations

H	=	Plate height
P	=	Door protrusion
S	=	Side arm protrusion
W	=	Side panel width

Straight-arm	Self close	Free swing
Screw-on	71T6550	70T6550.TL
Press-in	71T6580	
INSERTA	71T6540B	70T6540BTL

Half-cranked	Self close	Free swing
Screw-on	71T6650	70T6650.TL
Press-in	71T6680	
INSERTA	71T6640B	

Half-cranked	Self close	Free swing
Screw-on	71T6650	70T6650.TL
Press-in	71T6680	
INSERTA	71T6640B	