

CLIP top 155° Zero Protrusion

Hinges



Features

- For use in cabinets with interior roll-outs
- Three-dimensional adjustment
- Available with INSERTA attachment
- For door thicknesses up to **24** (15/16")
- Angle restriction clips available
- All metal hinge, nickel-plated

Minimum reveal table

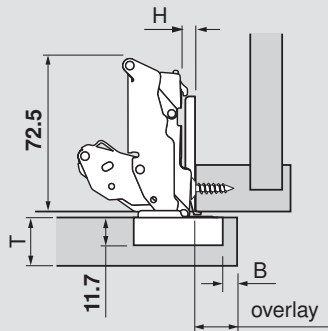
| | 3 | 4 | 5 | 6 | 7 | 8 |
|---------------------|----|----|----|----|----|----|
| 0 | 0 | 0 | 0 | 0 | 0 | 0 |
| 1 | 0 | 0 | 0 | 0 | 0 | 0 |
| 2 | 0 | 0 | 0 | 0 | 0 | 0 |
| 3 | 0 | 0 | 0 | 0 | 0 | 0 |
| 4 | 0 | 0 | 0 | 0 | 0 | 0 |
| 5 | 0 | 0 | 0 | 0 | 0 | 0 |
| 6 | 0 | 0 | 0 | 0 | 0 | 0 |
| 7 | 0 | 0 | 0 | 0 | 0 | 0 |
| 8 | 0 | 0 | 0 | 0 | 0 | 0 |
| B = boring distance | 16 | 18 | 19 | 20 | 22 | 24 |

T = door thickness

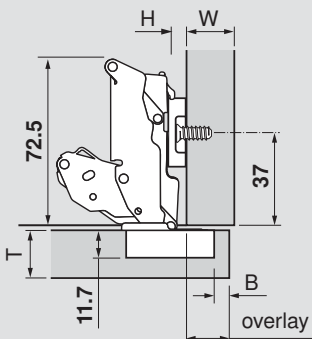
Thickness greater than **24** please see page 16

Overlay

Frame

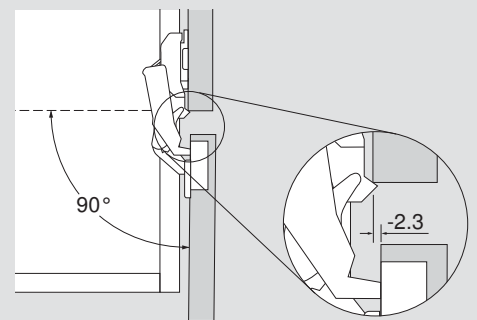


Frameless



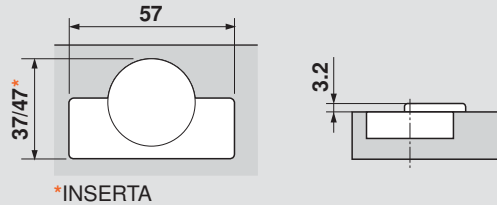
Door protrusion

At a 90° opening, using 0 mm plate, the door will have **-2.3 mm** protrusion regardless of boring distance. Use side adjustment to increase or decrease door protrusion.



NOTE: Use of 0 mm or 3 mm is recommended for zero protrusion

Hinge cup dimensions



Angle restriction clips

110° restriction clip

92° restriction clip



Gray nylon

Gray nylon

Part no.

Part no.

70T7553

70T7553.09

NOTE: For use with 155°/125° zero protrusion hinges. See page 57 for instructions and details.

Abbreviations

| | | |
|---|---|---------------------|
| H | = | Plate height |
| P | = | Door protrusion |
| S | = | Side arm protrusion |
| T | = | Door thickness |
| W | = | Side panel width |

| H | Overlay | | | | | | | P | S |
|---|---------------------|----|----|----|----|----|---------------------|----|---|
| 0 | 14 | 15 | 16 | 17 | 18 | 19 | -2.3 | 61 | |
| 3 | 11 | 12 | 13 | 14 | 15 | 16 | 0.7 | 64 | |
| | 3 | 4 | 5 | 6 | 7 | 8 | Fixed distance = 11 | | |
| | B = boring distance | | | | | | | | |

| Straight-arm | Self close |
|--------------|----------------|
| Screw-on | 71T7550 |
| INSERTA | 71T7590 |